

Powr-Flite

COMMERCIAL FLOOR CARE EQUIPMENT

OPERATOR'S MANUAL & PARTS LIST

HYBRID DRYER

PDH1 - PDH2 Series



Save These Instructions

WARNING: OPERATOR MUST READ AND UNDERSTAND THIS MANUAL COMPLETELY BEFORE OPERATING THIS EQUIPMENT.

INTRODUCTION

Check the carton for shipping damage. Carefully unpack and inspect your new Powr-Flite dryer for shipping damage. Each unit is tested and thoroughly inspected prior to shipping. If damage is discovered, immediately notify the transportation company that delivered your machine and request an inspection. As a manufacturer, we are unable to act upon any claim for concealed damage; you must originate the claim. Be sure to keep the carton, packing inserts, packing lists, and carrier's receipt until the inspector has verified your claim.

- Introduction2**
- Safety Instructions3**
- Grounding Instructions.....4**
- Operating Instructions5**
- Maintenance.....6**
- Troubleshooting6**
- Storage6**
- Machine Specifications.....7**
- Schematic and Parts List.....8**

PROTECT THE ENVIRONMENT

Please dispose of packaging materials in an environmentally safe way according to local waste disposal regulations.

Always remember to recycle

MANUAL

This manual has important information for the use and safe operation of the dryer. Read this manual carefully before starting the machine. Keep the manual available at all times and instruct all operators to read this manual.

REFERENCE INFORMATION

Reference Information

Model Number _____

Serial Number _____

Date Purchased _____

Retain this manual as a permanent record of your purchase.

SAFETY WARNINGS AND PRECAUTIONS

⚠ WARNING! Read all instructions before using. Save These Instructions. Following the cleaning instructions will prolong the life of your Powr-Flite Dryer.

When using an electrical appliance, basic precautions should always be followed.

- Use only as instructed in this manual. Use only the recommended attachments and replacement parts.
- Do not leave dryer plugged in when not in use. Unplug dryer before servicing.
- Use only indoors. Do not use outdoors or expose to rain.
- If the unit is not working as it should, has been dropped, damaged, left outdoors, or exposed to water, return it to a service center before using.
- Do not use with damaged cord or plug.
- Do not kink or twist the power cord.
- Do not pull or carry by the cord, use the cord as a handle, close a door on cord, or pull cord around sharp edges or corner. Keep cord away from heated surfaces.
- Do not pull on the cord to unplug. Grasp and pull the plug, not the cord. Turn off the dryer before unplugging.
- Do not handle the cord, plug, switch or dryer with wet hands.
- Do not use outlets with inadequate current capacity.
- Do not put any objects into openings. Do not use with any opening blocked. Keep free of dust, lint, hair and anything that might reduce airflow.
- Keep hair, loose clothing, fingers, and all parts of body away from openings and moving parts.
- Do not use near combustible liquids, gases, or dusts, such as gasoline or other fuels, lighter fluid, cleaners, oil-based paints, or natural gas, or anything that is burning or smoking, such as cigarettes, matches, or hot ashes.
- Do not operate near draperies or another material that could block the air intakes.
- Keep air intakes clear. Reduced airflow can cause motor to overheat.
- Keep children and unauthorized persons away from the dryer when in use.
- This machine is not intended for use by persons with reduced physical, sensory or mental capabilities, or lack of experience and knowledge.
- Do not attempt to service the dryer yourself. Repair by anyone other than an authorized repair service center may void the warranty.
- Store in dry area.
- Do not use an extension cord with this dryer.

⚠ WARNING! To reduce the risk of fire or electric shock, do not use this fan with any solid-state speed control device.

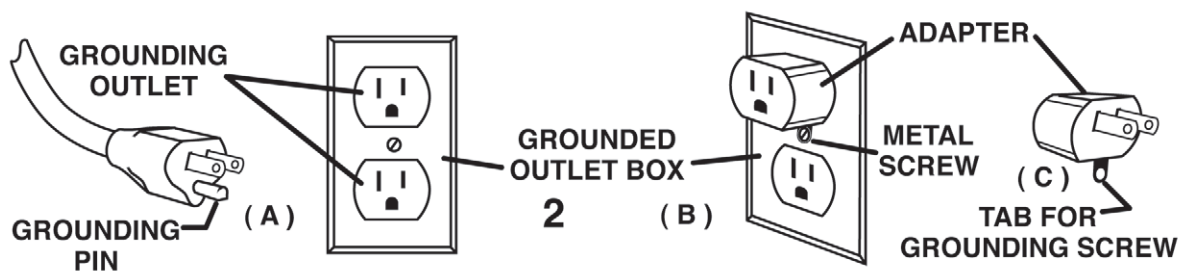
GROUNDING INSTRUCTIONS

This dryer must be grounded! Grounding is a safety measure to reduce the risk of electrical shock to the operator should the machine malfunction or stop working. Grounding provides the path of least resistance for electric current and will trip the circuit breaker, stopping the flow of electricity.

This unit is equipped with a cord that has an equipment-grounding conductor and grounding plug. The plug must be inserted in an appropriate outlet that is properly installed and grounded in accordance with all local codes and ordinances. Cutting off the ground wire or using a cord that is not equipped with a ground plug will void the warranty on the unit. Powr-Flite will accept NO liability associated with the unit.

! WARNING! Improper connection of the equipment-grounding conductor can result in a risk of electric shock. Check with a qualified electrician or service person if you are in doubt as to whether the outlet is properly grounded. Do not modify the plug provided with the appliance. If it will not fit the outlet, have a proper outlet installed by a qualified electrician.

The dryers are for use on a nominal 120-volt circuit, and have a grounded plug that looks like the plug illustrated in Figure A. A temporary adapter that looks like the adapter illustrated in Figure B and C may be used to connect this plug to a 2-pole receptacle as show in Figure B if a properly grounded outlet is not available. The temporary adapter should be used only until a properly grounded outlet (Figure A) can be installed by a qualified electrician. The green colored rigid ear, lug, or the like, extending for the adapter must be connected to a permanent ground such as a properly grounded outlet box cover. Whenever the adapter is used, it must be held in place by a metal screw.



Note: In Canada, the use of a temporary adapter is not permitted by the Canadian Electrical Code.

! WARNING! The replacement or repair of damaged wiring should only be performed by a qualified electrician or service engineer from the manufacturer or authorized service center.

OPERATING INSTRUCTIONS

1. Plug in to a standard outlet with the correct voltage and amperage for the unit.
2. Use only on GFCI protected receptacles
3. Place the dryer in the desired operating position.

Daisy Chained

The PDH2 model can be daisy chained with up to 4 units on a dedicated 15 amp circuit with the built in power outlet.

! WARNING! When daisy chaining units, each unit is controlled separately. The daisy chained units are not controlled by the master unit that is plugged into the wall outlet. Even with the master unit switch in the OFF position, any daisy chained unit(s) will still have power and may be turned ON.

The circuit breaker controls both the fan and the outlet. If the circuit breaker trips while units are daisy chained, remove some of the down stream units, then push in Reset button on circuit breaker. **A maximum of 3 units may be daisy chained off of 1 unit for a total of 4 units per circuit.**



**BUILT-IN POWER OUTLET
CAN DAISY CHAIN 4 PDH2
UNITS TOGETHER**

Operating Positions

The Hybrid dryer can be used in multiple positions. The PDH1 model can be used in the vertical position (Figure 1) and the horizontal position (Figure 2). The PDH2 Deluxe model offers two additional positions. By using the kickstand (Figure 3) and side bumpers (Figure 4).



FIG. 1



FIG. 2



FIG. 3



FIG. 4

! WARNING! To ensure objects are not sucked against the intake guard during operation and decrease airflow, do not place items in front of the intake guard.

3. Set the switch at the desired speed: LOW - I, MEDIUM - II, or HIGH - III.



4. Check for proper operation before leaving the unit unattended.

! WARNING! Do not move or carry the dryer when it is running.

MAINTENANCE

Routine maintenance can significantly increase the life of your Hybrid Dryer. The applications and amount of use varies, so the recommendations listed below are for average-to-high volume use. Constant operation may require additional maintenance.

! WARNING! Always unplug machine before cleaning, or making any adjustments or repairs.

Before Each Use

1. Inspect power cord for fraying, cuts or damage; do not use if damaged.
2. Remove lint or obstructions from the Intake Guard and Exhaust Port Guard using a vacuum or compressed air.
3. Inspect exterior components (switch, knob, etc.) for damage.

After Each Use

1. Remove any lint or debris from the intake screen.
2. Clean dust and dirt from motor using a vacuum or compressed air.
3. Snugly wrap the power cord around the cord wrap/feet and secure the end of the power cord to itself using the latch on the plug of the power cord.
4. Clean the exterior with a household all-purpose spray cleaner. Spray the rag, then apply to the surface.

Periodic Maintenance

1. Inspect all electrical connections.
2. Check the power cord for any breaks, fraying, separations, or cuts.
3. Make sure the ground pin or grounding prong is intact.
4. Inspect the motor and fan for build-up of debris, removing the intake screen and fan, cleaning as required.

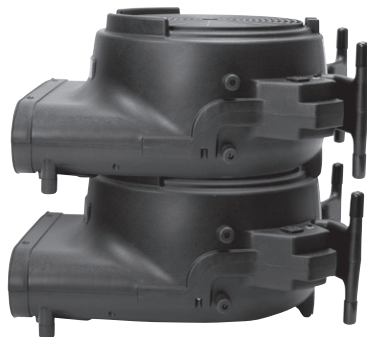
TROUBLE SHOOTING

If the dryer will not turn on:

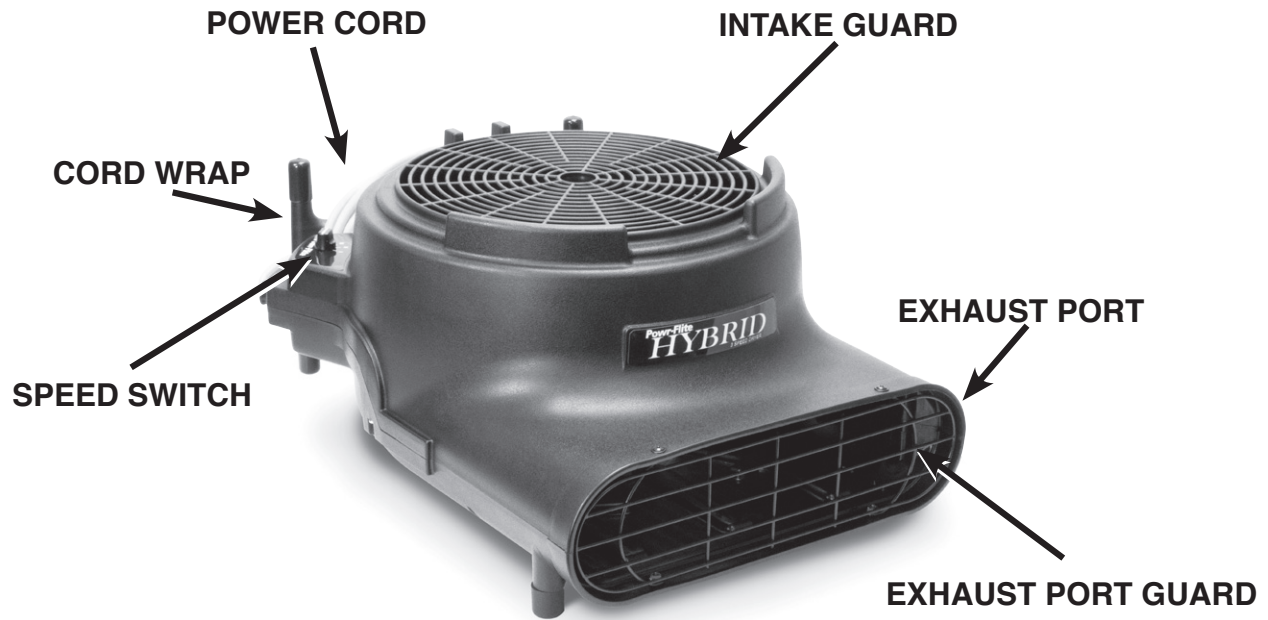
1. Make sure the power cord is firmly connected to the unit and is in good condition.
2. Make sure the power cord is firmly seated in the wall outlet.
3. If using an extension cord, make sure it is in good condition, proper gauge and firmly connected.
4. Check to see if the building circuit breaker is tripped. If circuit is overloaded, move the unit to another circuit. On PDH2 - check circuit breaker on unit.

STORAGE

Always store the dryer in a dry place. The dryers can be stacked during storage or transport to minimize the required space. The stacking guide is located on the top and bottom of each unit.



SPECIFICATIONS

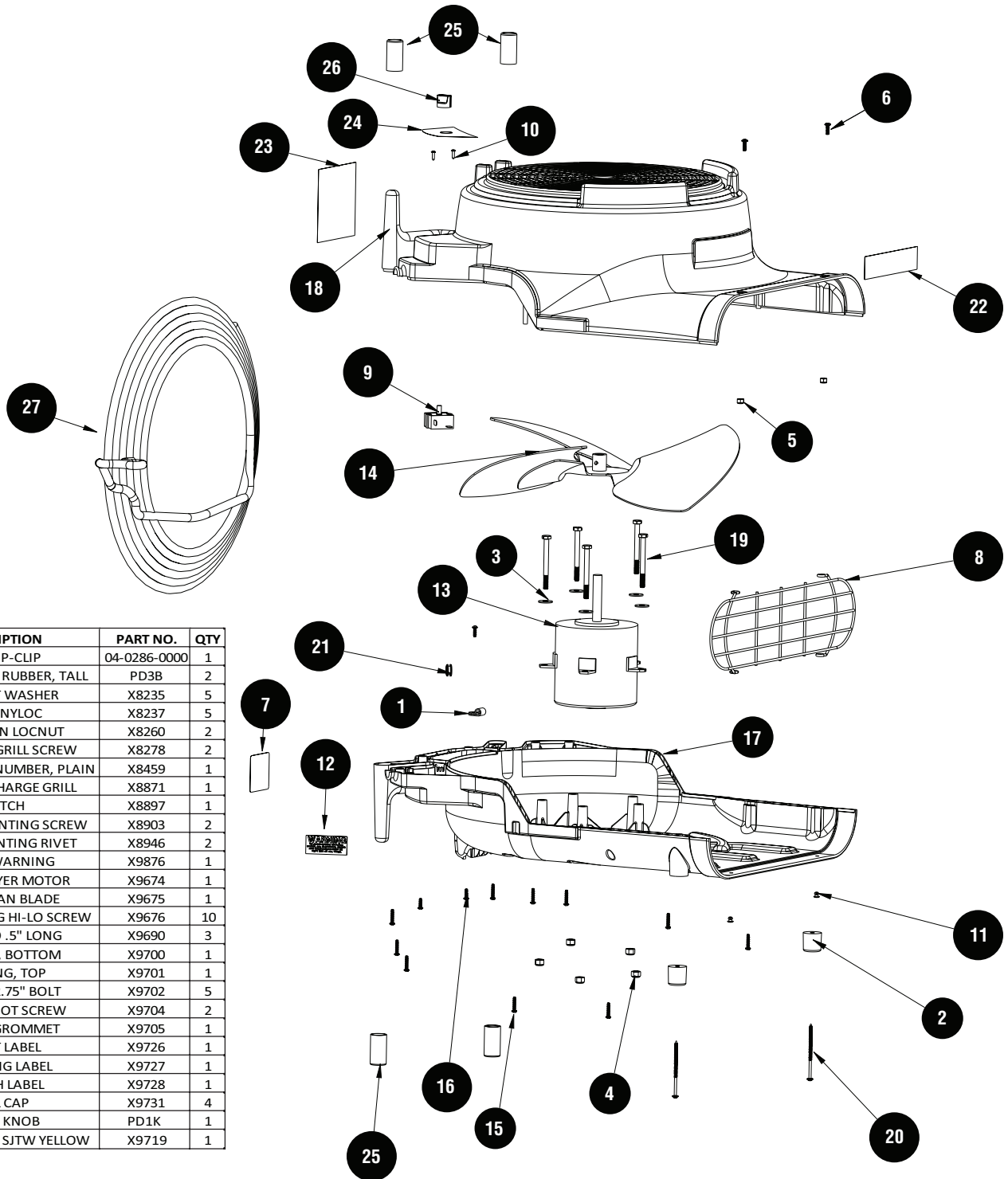


Specifications and parts are subject to change without notice.
Please refer to www.Powr-Flite.com for the latest schematic drawing and parts list.

Model	PDH1	PDH2
Running Amps	2.8	2.8
Power	120V	120V
Motor	.4 hp	.4 hp
Air Velocity	3,400 FPM	3,400 FPM
Drying Positions	2 (0°, 90°)	4 (0°, 5°, 90°, Side)
Housing	co-polymer polypropylene	co-polymer polypropylene
Daisy Chain Capable	No	Yes
Kickstand	No	Yes
Stackable	Yes	Yes
Power Cord	20 ft. / 6 m	20 ft. / 6 m
Net Weight	17.75 lbs. / 8 kg	18 lbs. / 8.2 kg
Dimensions	22" x 16.5" x 11.5" 56 cm x 42 cm x 29 cm	22" x 16.5" x 11.5" 56 cm x 42 cm x 29 cm

SCHEMATIC AND PARTS LIST

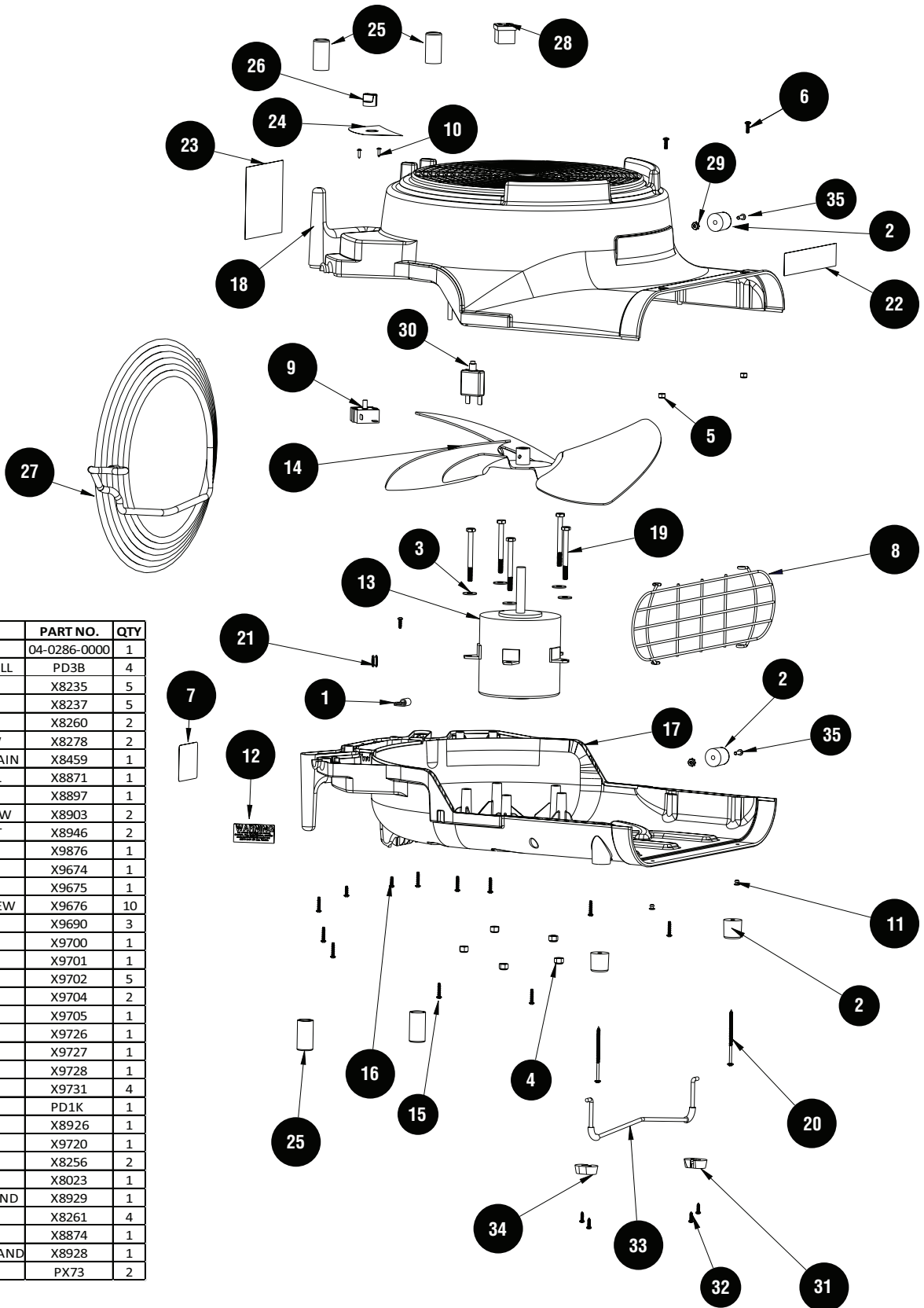
MODEL PDH1



ITEM	DESCRIPTION	PART NO.	QTY
1	CABLE P-CLIP	04-0286-0000	1
2	FOOT, BLACK, RUBBER, TALL	PD3B	2
3	1/4" FLAT WASHER	X8235	5
4	1/4-20 NYLOC	X8237	5
5	8-32 NYLON LOCNUT	X8260	2
6	8-32 X 1/2" GRILL SCREW	X8278	2
7	LABEL, SERIAL NUMBER, PLAIN	X8459	1
8	DRYER DISCHARGE GRILL	X8871	1
9	SWITCH	X8897	1
10	SWITCH MOUNTING SCREW	X8903	2
11	GRILL MOUNTING RIVET	X8946	2
12	LABEL, WARNING	X9876	1
13	HYBRID DRYER MOTOR	X9674	1
14	HYBRID FAN BLADE	X9675	1
15	8-18 3/4" LONG HI-LO SCREW	X9676	10
16	8-18 HI-LO .5" LONG	X9690	3
17	HOUSING, BOTTOM	X9700	1
18	HOUSING, TOP	X9701	1
19	1/4-20 X 2.75" BOLT	X9702	5
20	HYBRID FOOT SCREW	X9704	2
21	RUBBER GROMMET	X9705	1
22	FRONT LABEL	X9726	1
23	WARNING LABEL	X9727	1
24	SWITCH LABEL	X9728	1
25	VINYL CAP	X9731	4
26	DRYER KNOB	PD1K	1
27	CORD 18/3 20' SJTW YELLOW	X9719	1

SCHEMATIC AND PARTS LIST

MODEL PDH2



ITEM	DESCRIPTION	PART NO.	QTY
1	CABLE P-CLIP	04-0286-0000	1
2	FOOT, BLACK, RUBBER, TALL	PD3B	4
3	1/4" FLAT WASHER	X8235	5
4	1/4-20 NYLOC	X8237	5
5	8-32 NYLON LOCNUT	X8260	2
6	8-32 X 1/2" GRILL SCREW	X8278	2
7	LABEL, SERIAL NUMBER, PLAIN	X8459	1
8	DRYER DISCHARGE GRILL	X8871	1
9	SWITCH	X8897	1
10	SWITCH MOUNTING SCREW	X8903	2
11	GRILL MOUNTING RIVET	X8946	2
12	LABEL, WARNING	X9876	1
13	HYBRID DRYER MOTOR	X9674	1
14	HYBRID FAN BLADE	X9675	1
15	8-18 3/4" LONG HI-LO SCREW	X9676	10
16	8-18 HI-LO .5" LONG	X9690	3
17	HOUSING, BOTTOM	X9700	1
18	HOUSING, TOP	X9701	1
19	1/4-20 X 2.75" BOLT	X9702	5
20	HYBRID FOOT SCREW	X9704	2
21	RUBBER GROMMET	X9705	1
22	FRONT LABEL	X9726	1
23	WARNING LABEL	X9727	1
24	SWITCH LABEL	X9728	1
25	VINYL CAP	X9731	4
26	DRYER KNOB	PD1K	1
27	Cord 16/3 SJTW 20ft	X8926	1
28	POWER OUTLET	X9720	1
29	NUT 8-32 KEPS ZINC	X8256	2
30	CIRCUIT BREAKER	X8023	1
31	FOOT LEFT DRYER KICKSTAND	X8929	1
32	SCREW #6 X 1/2 PAN	X8261	4
33	KICKSTAND DRYER	X8874	1
34	FOOT RIGHT DRYER KICKSTAND	X8928	1
35	8-32 X 1 PHIL PAN	PX73	2



Always follow manufacturer instructions

POWR-FLITE LIMITED WARRANTY

Powr-Flite will repair or exchange parts for your dryer in the event of a manufacturing defect as follows:

PARTS: New or comparable rebuilt parts, for one year after original purchase. Five year warranty on housing.

LABOR: Carry-in service can be obtained during the warranty period by taking your dryer to an Authorized Powr-Flite Warranty Service Center.

IMPORTANT WARRANTY CONDITIONS: A purchase receipt or other proof of date of original consumer purchase also will be required before warranty service is rendered.

This warranty covers normal use and does not cover damage which occurs in shipment or failure resulting from alteration, accident, misuse, abuse, neglect, or improper maintenance.

STATEMENT: This warranty is not transferable and extends only to the original purchaser when a new Powr-Flite dryer is purchased from an Authorized Powr-Flite Dealer. This warranty gives you specific legal rights, and you may have other rights that vary from state to state.

Powr-Flite[®]
BETTER QUALITY · BETTER PRICES · GUARANTEED

Powr-Flite
3101 Wichita Ct.
Fort Worth, Texas 76140
800.880.2913
Powr-Flite.com

©Powr-Flite, All Rights Reserved

PDH-Man 3/2013

AAA Rent-All 225-291-1356